



Gas cylinder regulators



acetylene 251 1120-001



propane connection for industry cylinders (33 kg) 251 1300-001

Gas cylinder regulators single-stage

oxygen	
10 bar (1 BG 37)	251 1010-001
20 bar (1 BG 37)	251 1020-001
40 bar	251 1030-001

acetylene	
(01 D-DE 56 172)	251 1120-001

hydrogen	
10 bar	251 1340-001

compressed air	
10 bar	251 1250-001
20 bar	251 1260-001

nitrogen	
10 bar	251 1390-001
40 bar	251 1390-040



Gas cylinder regulators two-stage

oxygen	
10 bar (1 BG 39)	251 1040-001
20 bar (1 BG 39)	251 1050-001



Gas cylinder regulators for shielded arc welding

with integrated throttle, indicating range 0-20 l/min., with pressure gauge

single-stage	
argon, corgon, CO ₂	251 1970-001
anti-slag gas	251 0500-001
nitrogen	251 0620-001

two-stage	
argon, corgon, CO ₂	251 1440-001
anti-slag gas	251 1430-001
nitrogen	251 1400-001
hydrogen	251 1350-001



Gas cylinder regulators with flowmeter

measuring range 0-20 l/min.

single-stage	
anti-slag gas	251 0290-001
argon, corgon, CO ₂	251 0110-001

two-stage	
anti-slag gas	251 0230-001
argon, corgon, Co ₂	251 0250-001

Pressure regulators for distribution points



Pressure regulator for distribution points with gauge
connection acc. to DIN 477

acetylene
1.5 bar 251 0320-001
hose coupling nut W 21.8x14Gg. LH

propane
1.5 bar 251 0410-001
connection for industry cylinder with 33 kg
1.5 bar 251 0420-001
connection for household cylinder with 11 kg



Pressure regulator for distribution points with gauge
connection acc. to DIN EN 560

oxygen
10 bar 251 0350-101
hose coupling nut G 3/8 RH

argon, corgon, CO₂
0-20 l/min. 251 0440-101
hose coupling nut G 3/8 RH

compressed air
10 bar 251 0390-101
hose coupling nut G 3/8 RH

acetylene
1.5 bar 251 0320-101
hose coupling nut G 3/8 LH

propane
1.5 bar 251 0410-101
hose coupling nut G 3/8 LH



Pressure regulator for distribution points with flowmeter
connection acc. to DIN EN 560

anti-slag gas
0-20 l/min. 251 0371-101
hose coupling nut G 3/8 LH

argon, corgon, CO₂
0-20 l/min. 251 0361-101
hose coupling nut G 3/8 RH

Pressure regulators with pneumatic back pressure regulation



suitable for pressure outlets from 1 bar up to inlet pressure (max. 200 bar)
connection acc. to DIN EN 560

compressed air
hose coupling screw G 5/8 RH 251 0050-001

nitrogen
hose coupling nut G 24/36 RH 251 0210-001



Main pressure regulators



Main pressure regulator

acc. to DIN EN ISO 7291

oxygen 251 1160-001
 rated gas consumption 85 Nm³/h
 connection G 3/4 RH (DIN 477)
 outlet G 3/8 RH (DIN EN 560)
 inlet press. 200 bar, outlet press. 10 bar

propane 251 1180-100
 rated gas consumption 20 Nm³/h
 connection 21.8x14 Gg.LH (DIN 477)
 outlet G 3/8 LH (DIN EN 560)
 inlet press. 8 bar, outlet press. 1.5 bar

acetylene 251 1180-001
 rated gas consumption 20 Nm³/h
 connection G 3/4 LH
 outlet G 3/8 LH (DIN EN 560)
 inlet press. 20 bar, outlet press. 1.5 bar
 homologation 01 D-DH 56180

Main pressure regulator

acc. to DIN EN ISO 7291

oxygen 251 1171-001
 rated gas consumption 200 Nm³/h
 connection G 3/4 RH (DIN 477)
 outlet G 1/2 RH (DIN EN 560)
 inlet press. 200 bar, outlet press. 20 bar

Accessories for pressure regulators



Single pressure gauge, connection radial at the bottom

acetylene
 0 - 1.5 / 2.5 bar 060 0600-001
 0 - 40 bar 060 0600-002

argon / Co₂
 0 - 20 l/min. 060 0600-015

oxygen
 0 - 10 / 16 bar 060 0600-003
 0 - 200 / 315 bar 060 0600-004
 0 - 20 / 40 bar 060 0600-005

seal for pressure gauge 040 0504-005

pressure gauges for other gases on request



Single pressure gauge, connection on the backside

acetylene
 0 - 40 bar 060 0600-037

propane
 0 - 40 bar 060 0600-040

oxygen
 0 - 10 / 16 bar 060 0600-043
 0 - 200 / 315 bar 060 0600-042



Measuring tube

measuring tube 0 - 20 l/min.
 anti-slag gas 295 5270-004
 argon, corgon, CO₂ 295 5270-002

outer tube 295 5270-001



Pressure gauge protection, against damage of pressure gauge at cylinder regulators

yellow	255 9990-032
blue	255 9990-033

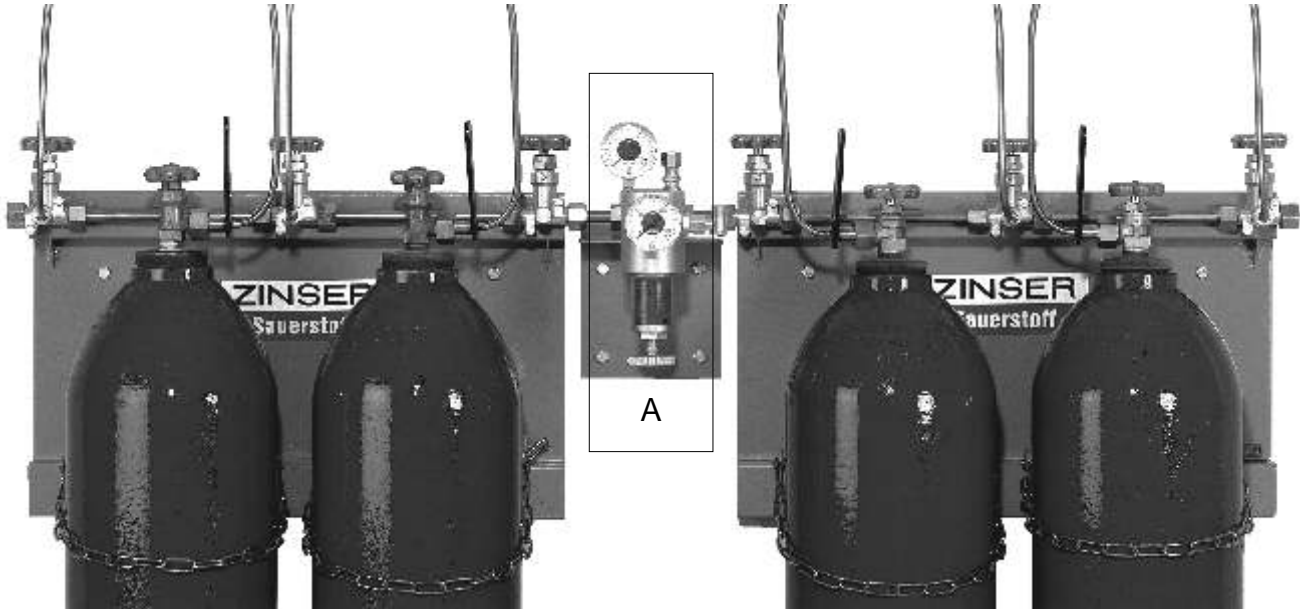


Two outlets manifold, with two hose ripples and hose coupl. nuts

acetylene	G 3/8 LH	251 3050-001
oxygen	G 1/4 RH	251 3070-001
oxygen	G 3/8 RH	251 3060-001
propane	G 3/8 LH	291 5370-001

Cylinder manifolds

ZINSER Schweisstechnik supplies gas cylinder manifolds according to the customers requirements. Please do contact our expert sales staff.

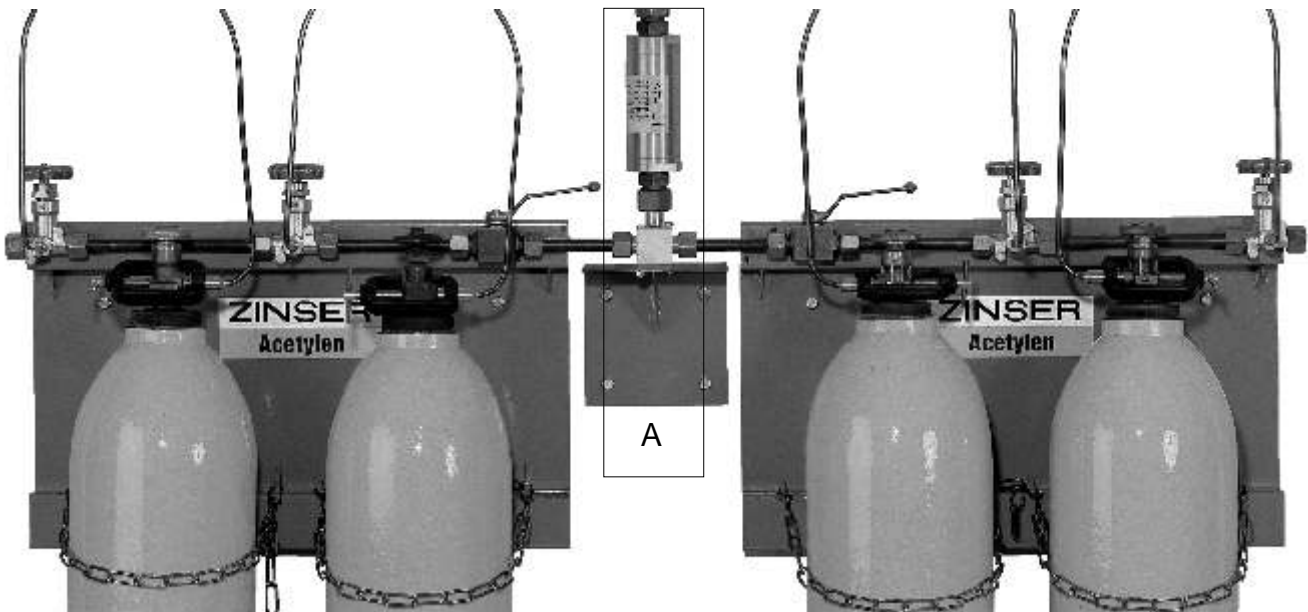


Cylinder manifold for oxygen

for 2x2 cylinders, completely assembled, consisting of:

- 2 wall fixing plates with holders for 2 cylinder
- single shutoff valves between manifold and connection bow
- 1 main pressure regulator with fixing plate

- mounting parts for 4 cylinders
- 2 main shutoff valves between manifold and main pressure regulator (ball tape = manual fast-closing device)



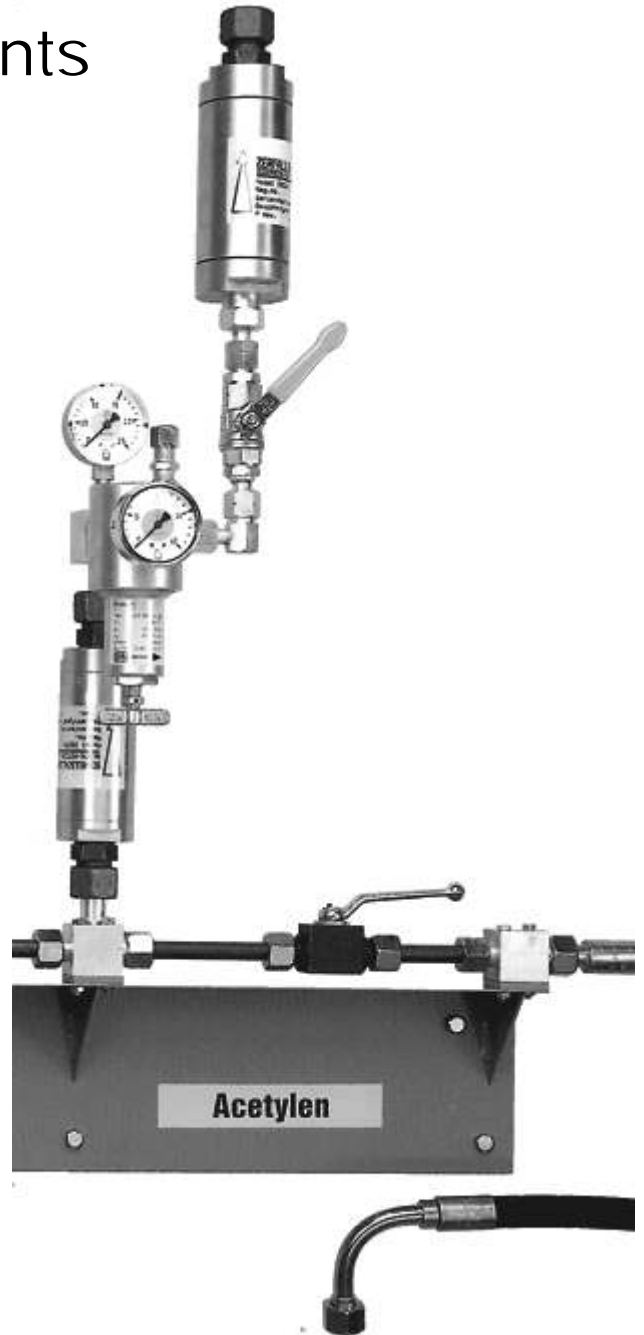
Cylinder manifold for acetylene, acc. TRAC 204 (example)

for 2x2 cylinders, completely assembled, consisting of:

- 2 wall fixing plates with holders for 2 cylinder
- single shutoff valve between manifold and connection bow
- 1 main pressure regulator with safety device and wall fixing plate (assembly equates central distribution point for acetylene)

- mounting parts for 4 cylinders
- 2 main shutoff valves (ball tape = manual fast-closing device)

Central distribution points



Central distribution point - oxygen 2x1 bundle

consisting of:

- 1 wall fixing plate
- 1 MS-T-piece
- 2 main shutoff valves
- 2 copper connection tubes length: 1.5 m or
- 2 high pressure hoses with bleed off valve length: 2 m
- 1 main pressure regulator oxygen - rated gas consump. 85 Nm³/h or
- 1 main pressure regulator oxygen - rated gas consump. 200 Nm³/h
- various parts

Central distribution point oxygen completely mounted

copper connection tubes	251 4550-001
main pressure regulator oxygen - 85 Nm ³ /h	
copper connection tubes	251 4550-002
main pressure regulator oxygen - 200 Nm ³ /h	
high pressure hoses	251 4550-003
main pressure regulator oxygen - 85 Nm ³ /h	
high pressure hoses	251 4550-004
main pressure regulator oxygen - 200 Nm ³ /h	

Central distribution point - acetylene 2x1 bundle (acc. DIN EN ISO 14114)

consisting of:

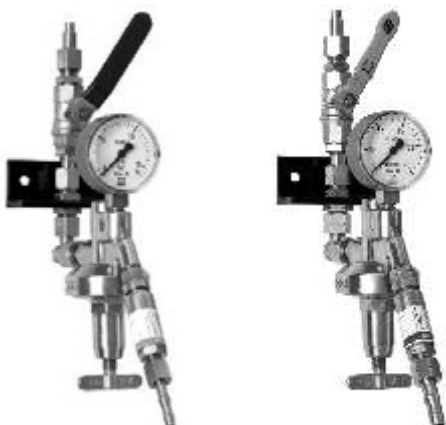
- 1 wall fixing plate
- 1 MS T-piece
- 2 main shutoff ball valves
- (ball valve = manual fast-closing device acc. TRAC)
- 2 high pressure hoses with ball valves length: 2 m
- 1 automatic fast-closing safety device acc. TRAC approval number BAM 0181
- 1 main pressure regulator acetylene acc. DIN EN ISO 7291 rated gas consumption 20 Nm³/h homologation 01 D-DH 56 180
- 1 main shut-off ball valve to be mounted behind the main pressure regulator
- 1 decomposition lock 30 Nm³/h approval number 09 D-18 180 FS
- various parts

Central distribution point acetylene completely mounted

251 4400-001



Distribution point units



1-fold design, completely mounted

- consisting of:
- 1 support bar
 - 1 connection screwing G 3/8 - G 3/8 LH
 - 1 shutoff valve (ball type)
 - 1 distribution point regulator without spout and safety device

oxygen	251 4411-101
acetylene*	251 4411-102
propane	251 4411-106
air	251 4411-100
argon l/min.	251 4411-103
argon 10 bar	251 4411-109
argon flowmeter	251 4411-105

*Branch-line back pressure valve (prescribed safety equipment) see page 25



2-fold design, completely mounted

- consisting of:
- (e.g. version for oxygen / acetylene)
- 1 support bar
 - 2 connection screwings (1xG 3/8 RH - 1xG 3/8 LH)
 - 2 shutoff valves (ball type)
 - 1 distribution point regulator oxygen G 3/8 RH
 - 1 distribution point regulator acetylene G 3/8 LH
 - without spout and safety device

oxygen / acetylene*	251 4411-200
oxygen / propane	251 4411-201
oxygen / air	251 4411-203

*Branch-line back pressure valve (prescribed safety equipment) see page 25



3-fold design, completely mounted

- consisting of:
- (e.g. version for oxygen / acetylene / argon)
- 1 support bar
 - 3 connection screwings (1xG 3/8 RH - 1xG 3/8 LH - 1xG 3/8 RH)
 - 3 shutoff valves (ball type)
 - 1 distribution point regulator oxygen G 3/8 RH
 - 1 distribution point regulator acetylene G 3/8 LH
 - 1 distribution point regulator argon G 3/8 RH (indication optionally in bar or l/min)
 - without spout and safety device

oxygen / acetylene* / argon	251 4411-302
-----------------------------	--------------

*Branch-line back pressure valve (prescribed safety equipment) see page 25



Distribution point unit for flame cutting machines (low pressure)

- consisting of:
- 1 support bar
 - 3 MS T-piece
 - 3 shutoff valves (ball type)
 - 1 main pressure regulator oxygen back pressure 0 - 20 bar
 - 1 main pressure regulator heating oxygen back pressure 0 - 10 bar
 - 1 main pressure regulator heating gas back pressure 0 - 1.5 bar
 - 1 branch-line back pressure valve for gas

unit with:

heating gas acetylene	251 4450-100
heating gas propane	251 4450-120
heating gas natural gas	251 4450-140