



# Governor Gas Regulator



ANSI Z21.80a CSA 6.22a-2005  
Inlet Pressures 25" W.C. to 5 PSIG  
Outlet Pressures To 2 PSIG



# Governor



## Introduction

**Pietro Fiorentini's** Governor line of gas regulators are designed to comply with the latest **CSA** and International standards for regulators suitable for indoor or outdoor installations with no modifications.

The Governor family of regulators are ideal for all burner installations and for low pressure gas distribution systems. The materials and soft parts used in the construction of the Governor regulators make them suitable for use with natural gas, LPG, Propane air and all other non corrosive gases.

All the Governor regulators are equipped with balanced valve design for high outlet pressure accuracy regardless of any inlet pressure variation. The double diaphragm provides added security in case of primary diaphragm failure. The integral vent limiter eliminates the need for costly piping for indoor installations and complies with **CSA** guidelines. The number of regulator options sometimes eliminates the need for separate units and significantly reduces installation costs.

## Specifications

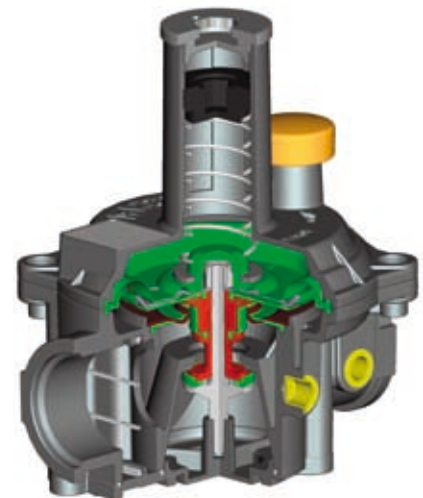
- Inlet pressure: 4" w.c. to 7 psig
- Outlet pressure range: 2" w.c. to 4.34 psig (2" w.c. to 2.18 psi for the compact models 30051-52-52)
- Minimum operating differential pressure  $\Delta P$ : 1" w.c.
- **CSA Outlet pressures to 2 psig for Compliance**
- Temperature class: -40°F to + 125°F
- Suitable for use with Natural Gas, LPG, Propane-air and any non corrosive gas.
- Available in a wide size range: NPT threaded 1/2", 3/4", 1", 1" 1/4, 1" 1/2, 2"; Flanged: 2 1/2", 3", 4"

## Features

- Integral Vent Limiter
- Straight-through (all sizes) or angle connections (1/2", 3/4", 1")
- Two active outlets (1/2", 3/4", 1")
- Can be mounted in any position
- Upstream and downstream test ports
- Optional Incorporated slam shut, both over and under pressure (1/2", 3/4", 1")
- Optional replaceable incorporated 50 Micron filter (all sizes)

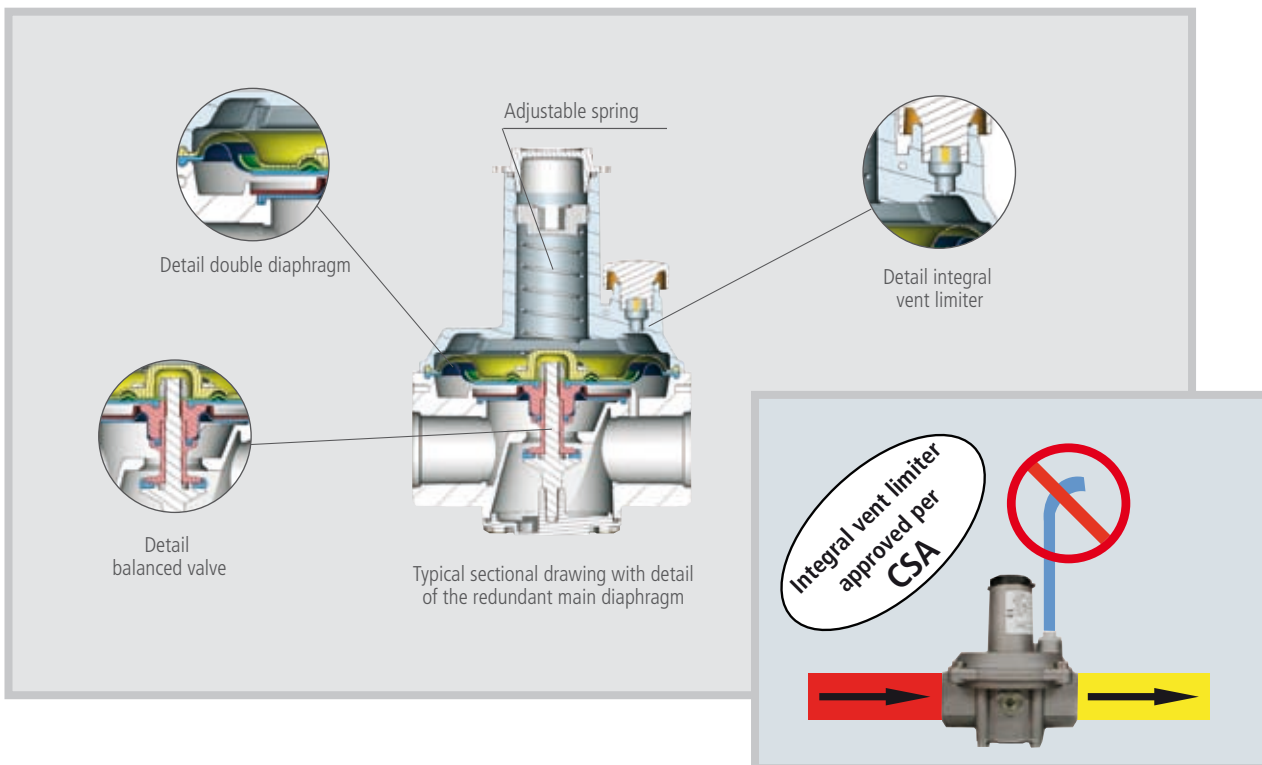
## Installation Saving

- The integral vent limiter and double diaphragm eliminate the need for vent piping for indoor installations.
- High capacities, which allows the use of smaller sizes.
- Straight-through or angle connections versions for ease installation.



## Safe and Reliable

- Integral vent limiter: non removable, for indoor and outdoor installations.
- Double diaphragm for added safety and greater reliability of service.



## High Performance

- Balanced valve design provides increased capacity, high 500:1 turndown and stable regulation from low to high flow.
- Complete lockup in absence of gas flow, bubble tight shut-off
- Balanced Valve Design allows the regulator inlet pressure to change but the regulators outlet pressure holds setpoint.

02



CSA design certified for inlet pressure 2 and 5 psig.

Inlet pressures above 2 psig require over pressure protection.

Designed  
With Your  
Needs In Mind

- Double Diaphragm
- Balanced Valve
- High Capacity
- Straight-through or Angle Connections
- Wide Size Range
- Integral Pressure Test Points
- Integral Filter (Optional)
- Integral Slam Shut (Optional)

# Governor



## CAPACITIES IN SCFH

\* For 30051/30052/30053 compact models, MAX OUTLET PRESSURE = 2.18 psi

\* For 30150 to 30158 standard models, MAX OUTLET PRESSURE = 4.34 psi

Outlet		Operating inlet pressure					
Model	Press Set	1/2 psi	3/4 psi	1 psi	2 psi	5 psi	7 psi
30051	4" w.c.	466	610	716	924	924	924
1/2" compact	7" w.c.	386	553	<b>* 635 *</b>	928	928	928
	10" w.c.	297	496	628	928	928	928
	14" w.c.		366	558	936	936	936
	1 psi				853	952	952
	2 psi					988	988
Outlet		Operating inlet pressure					
Model	Press Set	1/2 psi	3/4 psi	1 psi	2 psi	5 psi	7 psi
30052	4" w.c.	466	762	898	1,155	1,155	1,155
3/4" compact	7" w.c.	386	691	<b>* 848 *</b>	1,155	1,155	1,155
	10" w.c.	297	621	778	1,155	1,155	1,155
	14" w.c.		450	698	1,170	1,170	1,170
	1 psi				1,066	1,190	1,190
	2 psi					1,235	1,235
Outlet		Operating inlet pressure					
Model	Press Set	1/2 psi	3/4 psi	1 psi	2 psi	5 psi	7 psi
30053	4" w.c.	466	991	1,168	1,501	1,501	1,501
1" compact	7" w.c.	386	899	<b>* 1,059 *</b>	1,501	1,501	1,501
	10" w.c.	297	807	1,093	1,501	1,501	1,501
	14" w.c.		595	906	1,521	1,521	1,521
	1 psi				1,386	1,547	1,547
	2 psi					1,605	1,605

## HIGH CAPACITY

Model and Outlet		Operating inlet pressure					
Model Number	Press Set Point	1/2 psi	3/4 psi	1 psi	2 psi	5 psi	7 psi
30150	4" w.c.	1,086	1,433	1,695	2,196	2,196	2,196
1/2"	7" w.c.	891	1,296	<b>* 1,695 *</b>	2,205	2,205	2,205
	10" w.c.	656	1,152	1,471	2,213	2,213	2,213
	14" w.c.		870	1,325	2,223	2,223	2,223
	1 psi				2,026	2,261	2,261
	2 psi					2,346	2,346
	3 psi					2,400	2,400
	4 psi					1,775	2,500
Outlet		Operating inlet pressure					
Model Number	Pressure Set	1/2 psi	3/4 psi	1 psi	2 psi	5 psi	7 psi
30151	4" w.c.	1,372	1,810	2,140	2,774	2,774	2,774
3/4"	7" w.c.	1,125	1,637	<b>* 2,084 *</b>	2,785	2,785	2,785
	10" w.c.	829	1,455	1,858	2,796	2,796	2,796
	14" w.c.		2,000	1,674	2,808	2,808	2,808
	1 psi				2,560	2,857	2,857
	2 psi					2,963	2,963
	3 psi					3,030	3,030
	4 psi					2,241	3,150

03

Spring Selection	4" w.c. - 11.8" w.c. 0.144 psi - 0.425 psi	WHITE	23.6" w.c. - 59" w.c. 0.85 psi - 2.12 psi	VIOLET	
2" w.c. - 5" w.c. 0.072 psi - 0.18 psi	GREEN	9.8" w.c. - 27.5" w.c. 0.354 psi - 0.994 psi	YELLOW	55" w.c. - 118" w.c. 1.98 psi - 4.25 psi	ORANGE

\* CSA Certified  
Line Pressure Flow  
Capacities @ 20" w.c. drop \*

Outlet		Operating inlet pressure					
Model	Pressure Set	1/2 psi	3/4 psi	1 psi	2 psi	5 psi	7 psi
30152	4" w.c.	1,629	2,149	2,542	3,294	3,294	3,294
1"	7" w.c.	1,337	1,944	<b>* 2,437 *</b>	3,308	3,308	3,308
	10" w.c.	985	1,727	2,206	3,320	3,320	3,320
	14" w.c.		1,305	1,988	3,335	3,335	3,335
	1 psi				3,040	3,392	3,392
	2 psi					3,520	3,520
	3 psi					3,600	3,600
	4 psi					2,661	3,750
Outlet		Operating inlet pressure					
Model	Pressure Set	1/2 psi	3/4 psi	1 psi	2 psi	5 psi	7 psi
30153	4" w.c.	3,886	5,128	6,065	7,860	7,860	7,860
1-1/4"	7" w.c.	3,189	4,638	<b>* 5,297 *</b>	7,891	7,891	7,891
	10" w.c.	2,349	4,121	5,264	7,921	7,921	7,921
	14" w.c.		3,114	4,743	7,957	7,957	7,957
	1 psi				7,254	8,093	8,093
	2 psi					8,400	8,400
	3 psi					8,380	8,380
	4 psi					6,350	8,940
Outlet		Operating inlet pressure					
Model	Pressure Set	1/2 psi	3/4 psi	1 psi	2 psi	5 psi	7 psi
30154	4" w.c.	4,058	5,354	6,333	8,206	8,206	8,206
1-1/2"	7" w.c.	3,330	4,842	<b>* 5,650 *</b>	8,240	8,240	8,240
	10" w.c.	2,453	4,303	5,496	8,270	8,270	8,270
	14" w.c.		3,251	4,952	8,308	8,308	8,308
	1 psi				7,574	8,450	8,450
	2 psi					8,770	8,770
	3 psi					8,960	8,960
	4 psi					6,630	9,330
Outlet		Operating inlet pressure					
Model	Pressure Set	1/2 psi	3/4 psi	1 psi	2 psi	5 psi	7 psi
30155	4" w.c.	7,430	9,804	11,595	15,026	15,026	15,026
2"	7" w.c.	6,097	8,866	<b>* 10,947 *</b>	15,087	15,087	15,087
	10" w.c.	4,491	7,878	10,064	15,143	15,143	15,143
	14" w.c.		5,953	9,068	15,213	15,213	15,213
	1 psi				13,868	15,473	15,473
	2 psi					16,050	16,050
	3 psi					16,400	16,400
	4 psi					12,140	17,085
Outlet		Operating inlet pressure					
Model	Pressure Set	1/2 psi	3/4 psi	1 psi	2 psi	5 psi	7 psi
30157/F	4" w.c.	11,654	14,726	18,010	23,096	23,096	23,096
3" Flanged	7" w.c.	9,676	13,243	16,810	23,202	23,202	23,202
	10" w.c.	7,451	11,165	15,715	23,308	23,308	23,308
	14" w.c.		9,158	13,950	23,404	23,404	23,404
	1 psi				21,335	23,804	23,804
	2 psi					24,700	24,700
	3 psi					20,800	20,800
	4 psi					18,670	26,290
Outlet		Operating inlet pressure					
Model	Pressure Set	1/2 psi	3/4 psi	1 psi	2 psi	5 psi	7 psi
30158/F	4" w.c.	20,482	25,780	31,465	40,435	40,435	40,435
4" Flanged	7" w.c.	16,951	23,166	29,452	40,612	40,612	40,612
	10" w.c.	13,066	20,553	27,545	40,753	40,753	40,753
	14" w.c.		16,027	24,414	41,000	41,000	41,000
	1 psi				37,324	41,660	41,660
	2 psi					43,220	43,220
	3 psi					44,160	44,160
	4 psi					32,680	46,000

CONVERSIONS:  
 LPG capacities: multiply the value in table x 0.6  
 Nitrogen capacities: multiply the value in table x 0.79  
 Natural gas BTU/h capacities: multiply the value in table x 1000

1" w.c. = 0.036 psi  
 1 psi = 27.8" w.c.

# Governor



Same body for different configurations



GOVERNOR WITH OR WITHOUT FILTER



GOVERNOR WITH SLAM SHUT

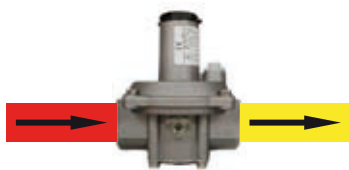


GOVERNOR WITH VERTICAL OUTLET

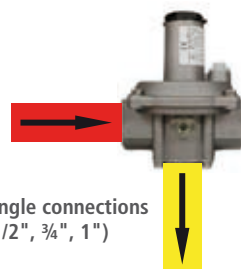


FLANGED GOVERNOR WITH INTEGRAL FLANGES

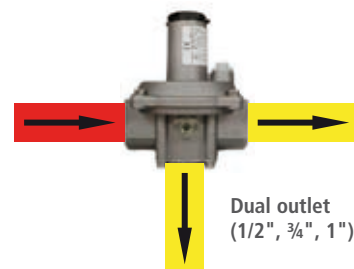
05



Straight-trought connections  
(all sizes)

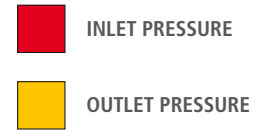
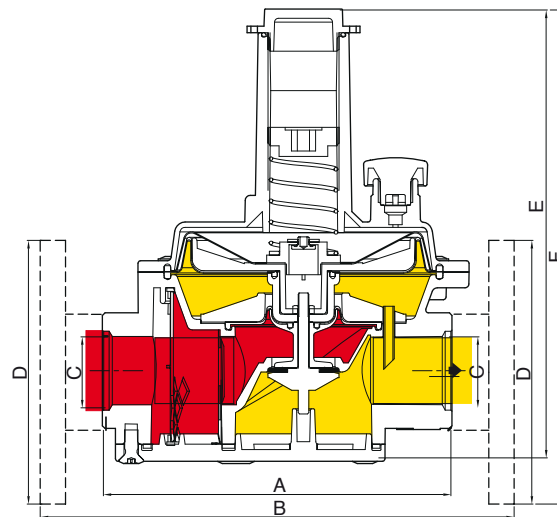


Angle connections  
(1/2", 3/4", 1")



Dual outlet  
(1/2", 3/4", 1")

## Dimensions



Model Number	Size	A	B	C	D	E	F	Weight (lb)
30051	1/2" NPT	4.13" 4.45" with filter		1/2"		5.59"		1.54
30052	3/4" NPT	4" 4.29" with filter		3/4"		5.59"		1.54
30053	1" NPT	4" 4.29" with filter		1"		5.59"		1.54
30150	1/2" NPT	5.43" (*)		1/2"		6.89"		2.75
30151	3/4" NPT	5.28" (*)		3/4"		6.89"		2.75
30152	1" NPT	5.28" (*)		1"		6.89"		2.75
30153	1-1/4" NPT	7.64" (*)		1" 1/4"		10"		7.49
30154	1-1/2" NPT	7.64" (*)		1" 1/2"		10"		7.49
30155	2" NPT	9.29" (*)		2"		12.44"		12.34
30155/F	2" Flanged		13.85" (*)	2"	ANSI 150		13.74"	22.71
30156/F	2-1/2" Flanged		16.90" (*)	2" 1/2"	ANSI 150		16.81"	27.56
30157/F	3" Flanged		16.90" (*)	3"	ANSI 150		17.09"	27.56
30158/F	4" Flanged		16.90" (*)	4"	ANSI 150		19.76"	27.56

(\*) same dimensions with filter



CSA design certified for inlet pressure 2 and 5 psig.

Inlet pressures above 2 psig require over pressure protection.

## MATERIALS

### BODY

ALLUMINUM ALLOY  
GD AISI 12/EN AB 46100  
G AISI 9/EN AB 43100

### COVERS

ALLUMINUM ALLOY  
GD AISI 12/EN AB 46100  
G AISI 9/EN AB 43100  
ZAMA 3 INI EN 1774

### EXTERNAL COATINGS

POLYURETHANE PAINT ON REQUEST  
  
OPTIONAL EPOXY POLYMERIC  
DUST PAINT 170/180°C THICKNESS 30-40 MICRON



**Pietro  
Fiorentini®**



4555 S. Berkeley Lake Rd  
Norcross, Ga. 30071

Toll. Free 1.888.618.8787  
Phone 1.770.441.6400  
Fax 1.770.448.7312  
e-mail sales@fioussa.com

[www.gasinside.com](http://www.gasinside.com)      [www.fioussa.com](http://www.fioussa.com)

The data contained is not binding. We reserve the right to changes without prior notice.



CT-s522-US October 2008